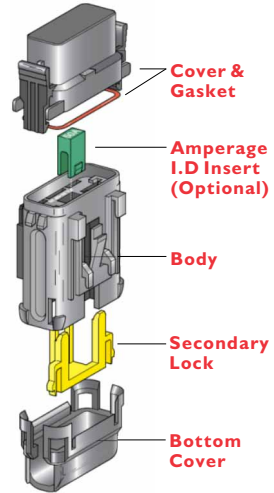


# MAXI FUSE IN-LINE HOLDER SPLASH PROOF

MTA

Part Number	Description	Pack Qty
01005K	Fuse holder kit includes; 21210, 21000, 21200 & 2 x 07660BK.	1
21210	Cover with gasket	10, 100, 1000
21000	Body with secondary lock	10, 100, 1000
21200	Bottom cover	10, 100, 1000
07650	Terminal 1.5 to 2.5mm <sup>2</sup> 20A (BK/RL)	20, 3000
07660	Terminal 4 to 6mm <sup>2</sup> 36A (BK/RL)	20, 3000
07670	Terminal 8 to 10mm <sup>2</sup> 50A (BK/RL)	20, 1950
07671	Terminal 16mm <sup>2</sup> 75A (BK/RL)	20, 1950
00392	Pressure fixing dual pin	10, 100, 1000
00430	Fixing plate single screw, M5	10, 100, 1000
00440	Fixing plate dual screw, M5	10, 100, 1000



**Body:** Black PA 66

**Accessories:** Optional amperage identification inserts - colour coded with rating embossed. Contact sales for further information.

**Features:** Gangable, lateral fixing & snap lock fixing plate accessories.

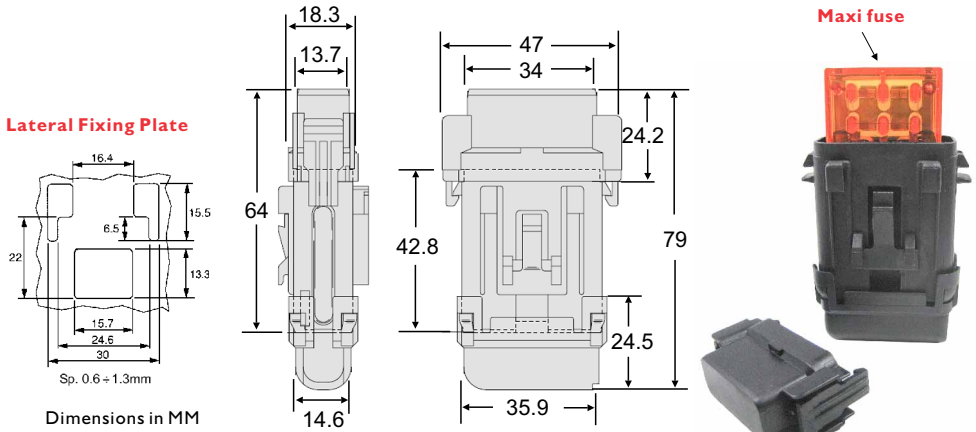
**Terminals:** BK = Bulk Pack, RL = Reel Pack

**Cable Size:** Max. cable size is 6mm<sup>2</sup> when using bottom cover.

Max. cable size is 16mm<sup>2</sup> when not using bottom cover.

**Notes:** Other modular brackets also available for larger junction box products. Contact sales for further information. Fuse is not included with this holder.

**Approvals:** 

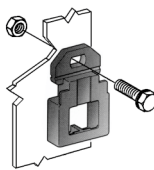


**RELATED PRODUCTS**

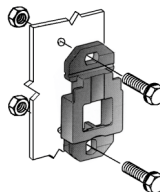
Maxifuses



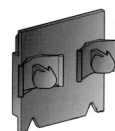
**Fixing Plate (Single)**



**Fixing Plate (Double)**



**Fixing Plate (Snap Mount)**

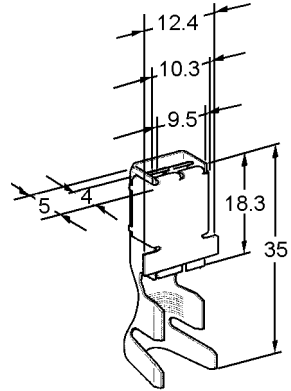


**Terminal**



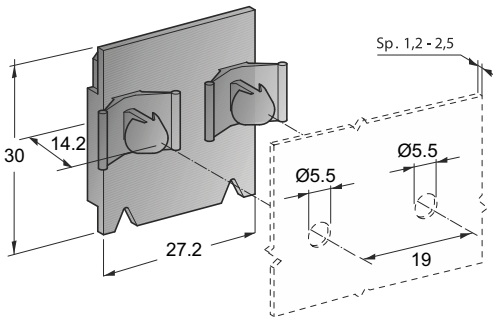
**Maxifuse Terminals**

<b>Part Number</b>	<b>Description</b>
<b>07650</b>	<b>Terminal 1.5 to 2.5mm<sup>2</sup> 20A</b>
<b>07660</b>	<b>Terminal 4 to 6mm<sup>2</sup> 36A</b>
<b>07670</b>	<b>Terminal 8 to 10mm<sup>2</sup> 50A</b>
<b>07671</b>	<b>Terminal 16mm<sup>2</sup> 75A</b>

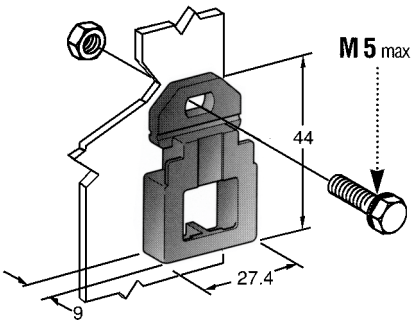


Dimensions in MM

**00392**



**00430**



**00440**

