

- Clear plastic cover for fast visual confirmation of fuse amp rating.
- Easy identification of blown fuses when LED indicating Auto fuses are installed.
- Gasket included with cover.

Part Number	No. Poles	Max Amps Per Block
00610K	4 Pole	80A
00600K	6 Pole	100A
00590K	8 Pole	135A

Voltage: 32V

Input Terminal Rating: 20A max. per circuit.

Body: Black PA66 GF30

Cover: Transparent cover with gasket. Material PA12.

Terminals: Lateral connections, 6.35mm (1/4") QC terminals.

Kit Contents: Cover, base & QC terminals.

Mounting: M5 screw

Pack Size: 1, 10, 100, 500

Notes: Each fuse branch is independently powered. Fuses are not included.

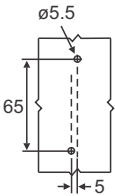
Approvals: 



1/4" Quick Connects

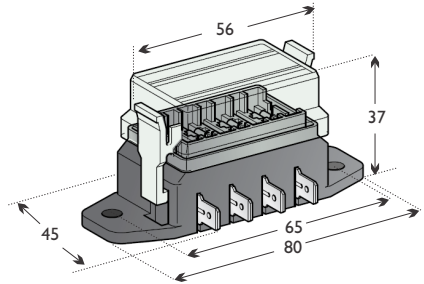
Dimensions in MM

Mounting Diagram

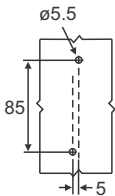


00610K

4 Way Lateral Kit

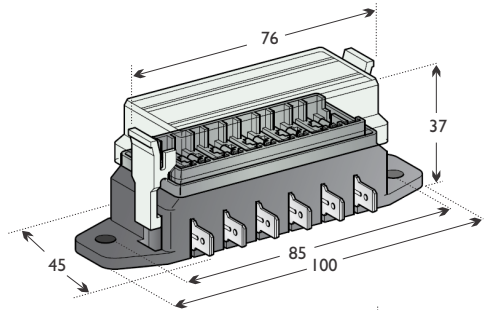


Mounting Diagram

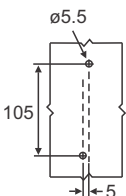


00600K

6 Way Lateral Kit



Mounting Diagram



00590K

8 Way Lateral Kit

