

CIRCUIT BREAKERS - PANEL MOUNT (WEATHERPROOF)

Mechanical Products
Thermal Type I & III

Features:

- Wide range of ratings from 25A to 200A.
- Smallest breaker in range for 175A & 200A Ratings.
- Superior Ingress Protection, rated to IP67 & IP69K.
- Designed for Harsh Applications to 30VDC.
- Optional LED tripID version for open circuits.

IP67

IP69K

IGN

NEW

| Manual Reset (Thru holes) | Manual Reset (# 10-32 Nuts) | Amperage Rating |
|------------------------------|--------------------------------|--------------------|
| Part Number | Part Number | |
| 19M-P10-B-025 | 19M-P11-B-025 | 25A |
| 19M-P10-B-030 | 19M-P11-B-030 | 30A |
| 19M-P10-B-035 | 19M-P11-B-035 | 35A |
| 19M-P10-B-040 | 19M-P11-B-040 | 40A |
| 19M-P10-B-045 | 19M-P11-B-045 | 45A |
| 19M-P10-B-050 | 19M-P11-B-050 | 50A |
| 19M-P10-B-060 | 19M-P11-B-060 | 60A |
| 19M-P10-B-070 | 19M-P11-B-070 | 70A |
| 19M-P10-B-080 | 19M-P11-B-080 | 80A |
| 19M-P10-B-090 | 19M-P11-B-090 | 90A |
| 19M-P10-B-100 | 19M-P11-B-100 | 100A |
| 19M-P10-B-105 | 19M-P11-B-105 | 105A |
| 19M-P10-B-120 | 19M-P11-B-120 | 120A |
| 19M-P10-B-135 | 19M-P11-B-135 | 135A |
| 19M-P10-B-150 | 19M-P11-B-150 | 150A |
| 19M-P10-B-175 | 19M-P11-B-175 | 175A |
| 19M-P10-B-200 | 19M-P11-B-200 | 200A |
| - | 19M-P21-B-175* | 175A |
| - | 19M-P21-B-200* | 200A |



**19M-P10 Series
Manual Reset TIII**
Thru Hole Without Nuts



**19M-P11 Series
Manual Reset TIII**
With # 10-32 Mounting Nut



**19A-P11 Series
Automatic Reset TI**
Non Indicating



**19A-P11-R Series
Automatic Reset TI**
With LED Indicating Feature



(Natural Finish - Standard)



(Black Finish - Optional)

***19M-P21 Series, Manual Reset TIII**
With Wide Mounting Bracket Option

I.R. (25A - 150A): 2.5kA at 14VDC, 1.5kA at 28VDC

I.R. (175A - 200A): 2.5kA at 30VDC

Reset Mechanism: Type III (Manual Reset).

Button (Standard): Red with white ampere marking.

Button Options: None, Red, Red LED or Clear LED.

All buttons feature a white ampere marking.

Panel Mounting Options:

• Standard Thru-hole, no nuts (19M-P10),

• 2 x # 10-32 fitted nuts (19M-P11).

• Wide mounting plate with 4 x #10-32 fixing screws (19M-P21).

Terminal Hardware: Includes 1/4" stainless steel sems nuts.

Threaded Stud: 1/4"-28 (12.5mm long)

Pack Size: 1 pc stock lines (9pcs non stock lines).

Housing: UL 94-V0 rated black thermoplastic.

Operating Temp: -40 deg. C to 85 deg. C

Vibration Rating: 10g per MIL-STD-204, Test Condition A.

Breaker Options: Type I - Automatic Reset (19A-Pxx) available.

Red or clear illuminated button versions available (tripID).

Approvals: Endurance: SAE J1625

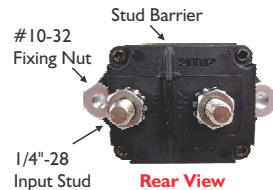
Interrupt Capacity: SAE J1625, ABYC E-11, UL I077

Ignition Protected: SAE J1171 Dielectric Strength: UL I077

Shock, Vibration, Corrosion, Humidity: Mil-STD-202

Dust and Waterproof Rated: IP67

High Temperature & Pressure Spray: IP69K



Rear View



New Optional Feature
TripID, LED Indicating Button.



Normal Operation Unlit



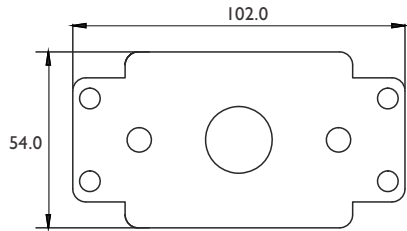
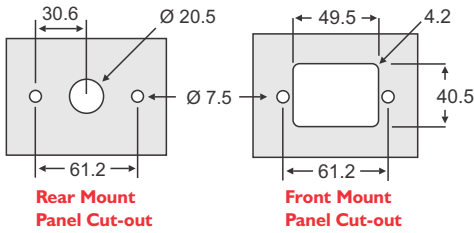
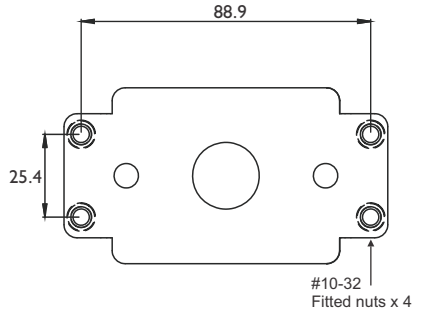
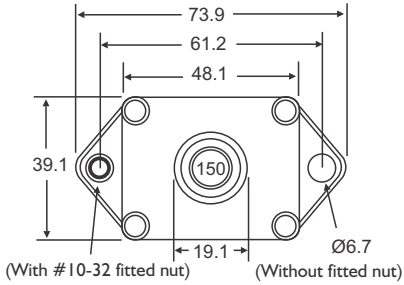
Open Circuit LED Lit

I9M-P10 / P11 Series

Standard Mounting Bracket

I9M-P21 Series

Wide Mounting Bracket



Dimensions in MM

Dimensions in MM